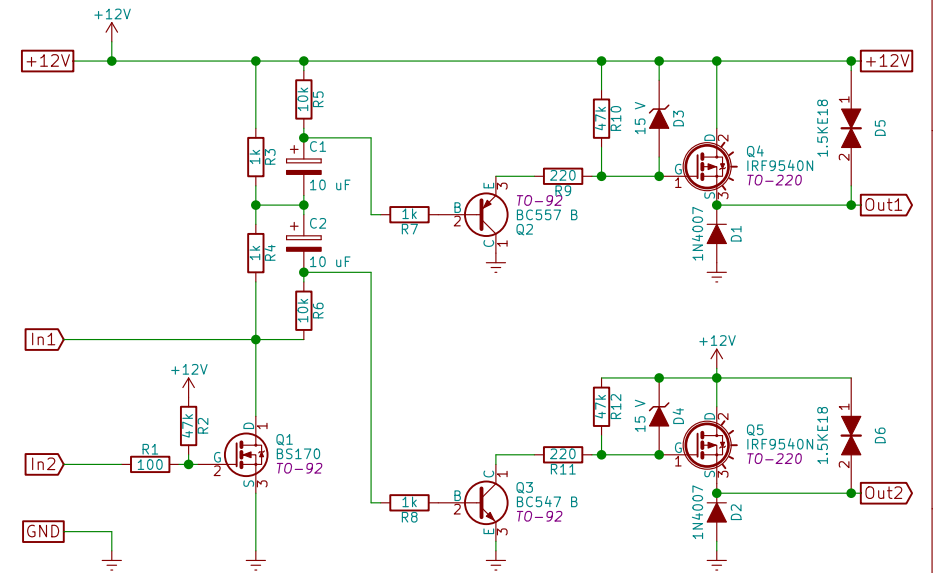


Low side switching version (recommended).
Use this version for relays which require a switched Ground for activating the coils (or don't care).



High side switching version.
Use this version only for relays which require a switched +12 V for activating their coils.

Edge Detector for driving latching relays (e. g. with a House Power BMS)

Martin Bartosch

Sheet: /
File: Edge Detector.sch

Title: Edge Detector

Size: A4 Date: 2019-04-05
KiCad E.D.A. kicad 4.0.2-stable

Rev: 1.2
Id: 1/1